

Indoor
Rigid light

LRE Luci RECTA

Color management
MacAdam 3 step



RECTA

LRE

Luci RECTA

Intensive brightness for powerful cove lighting as well as direct lighting.
Simple design for clean minimalist applications



WOODY PARTS Showroom
Location: Japan
Interior Design: NOMURA Co.,Ltd. Hiroaki Echizen
Photo: Nacasa & Partners Inc. Masato Kono



TOKYO POLYTECHNIC UNIVERSITY B1F school cafeteria
Location: Japan
Architect office: Sakakura Associates architects and engineers
Lighting design: Illumination Of City Environment



Powerful rectangular mono color light fitting

- Seamless lighting with completely eliminated dots
- Compact light appliance design which stores attachment parts

6 color variations



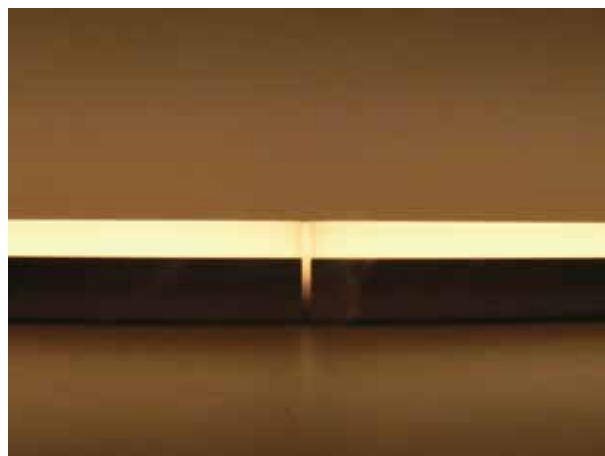
3 lengths

length	Model No.
length 1003mm	1003
length 503mm	0503
length 103mm	0103

Other 7 length are available with MOQ



Seamless connection



RECTA LRE



Color management
MacAdam 3 step

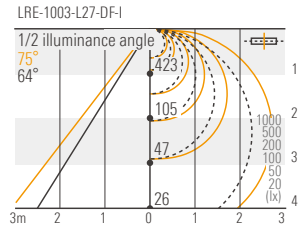


- High brightness >2000lm/m for surface mount and indirect lighting
- Seamless, 3 surface-emitting light with eliminated dots

Model No.

LRE	-	<input type="checkbox"/>	<input type="checkbox"/>	<input type="checkbox"/>	<input type="checkbox"/>	-	DF	-	I
Product Name	-	Length	-	Light source color	-	Cover Type	-	Environment	
LRE	-	0103 0503 1003	-	N : Natural white W : White WW : Warm white 3500K L30 : Warm white 3000K L27 : Warm white 2700K L24 : Warm white 2400K	-	DF : Diffuser	-	I : Indoors	

Light Intensity Refer to P.55



Specification

Length	0103	0503	1003
Model No.	LRE-0103-□-DF-I	LRE-0503-□-DF-I	LRE-1003-□-DF-I
Power consumption	3.1W	15.6W	31.2W
Fitting length(L)	103mm	503mm	1003mm
Weight	50g	220g	420g
Luminaire efficacy(2700K)	74.7 lm/W	74.7 lm/W	74.7 lm/W
Light source color	○ = Device inventory		
D 7100K	—	—	—
N 5000K Ra92	○ 238 lm	○ 1190 lm	○ 2380 lm
W 4000K Ra92	○ 238 lm	○ 1190 lm	○ 2380 lm
WW 3500K Ra93	○ 230 lm	○ 1151 lm	○ 2303 lm
L30 3000K Ra94	○ 222 lm	○ 1113 lm	○ 2226 lm
L27 2700K Ra93	○ 215 lm	○ 1075 lm	○ 2150 lm
L24 2400K Ra93	○ 199 lm	○ 998 lm	○ 1996 lm
L19 1900K	—	—	—

The optical data provided on the each product pages are for reference only; the data values are not guaranteed. Please use as reference materials for your planning.

Special order product size

Length	0205	0306	0407	0604	0705	0806	0907
Model No.	LRE-0205- *-DF-I	LRE-0306- *-DF-I	LRE-0407- *-DF-I	LRE-0604- *-DF-I	LRE-0705- *-DF-I	LRE-0806- *-DF-I	LRE-0907- *-DF-I
Power consumption	6.2W	9.3W	12.5W	18.7W	21.8W	24.9W	28.0W
Fitting length(L)	205mm	306mm	407mm	604mm	705mm	806mm	907mm

Please contact us since it is made-to-order products and has MOQ.

General Specification

Input voltage	DC24V
Environment	Indoors (no condensation)
Max. length per circuit	3.3m
Material (body)	Polycarbonate, Aluminum
Attachments	① Mounting parts 2pcs
Option parts	① Mounting parts ② Power supply cable ③ Joint cable
Certification	CE
Dimmable	○
Power Supplies	Required

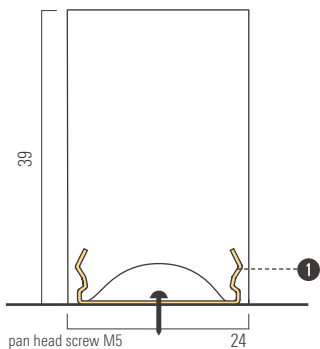
External dimensions



Max. connectable length per power supply

Length of LED fixture (70% loading factor) During dimmer use	Power supply
~1.1m	50W power supply
~2.2m	100W power supply
~3.3m	150W power supply

Cross sectional view



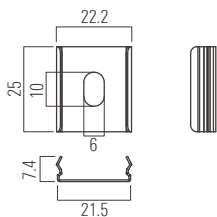
Option parts

1 Mounting parts A Attachment



Model No : LTH-PTA
Attached with LED fixture
2 pcs / bag

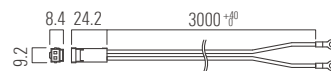
For extra order
2 pcs / bag



2 Power supply cable 3M



Model No : CAD-3000-MCRN-I
1 pc per circuit for connecting the LED fixture
to power supply or dimmer driver.



3 Joint cable 1M

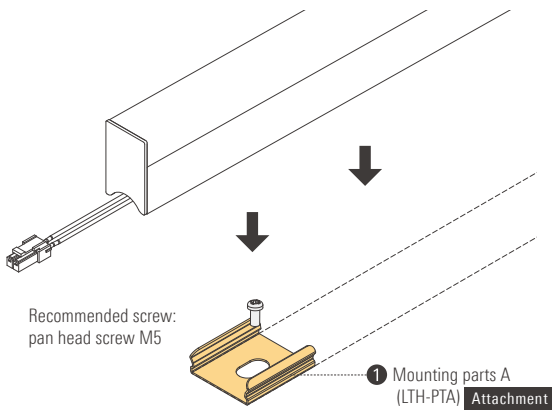


Model No : CAD-1000-MCFC-I
Joint cable between two LED fixtures



Installing the product

For horizontal installation

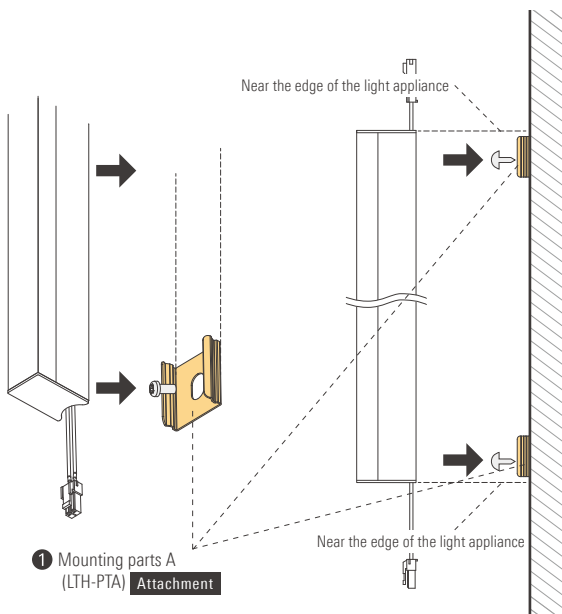


⚠ Cautions

To avoid the mounting parts being deformed, DO NOT over-screw the screws, use countersunk screw and install the LED fixture forcefully when the mounting parts are misaligned.

When using deformed Mounting parts, the LED fixture may drop from the Mounting parts. Make sure the LED fixture is fixed tightly after installation.

For vertical installation

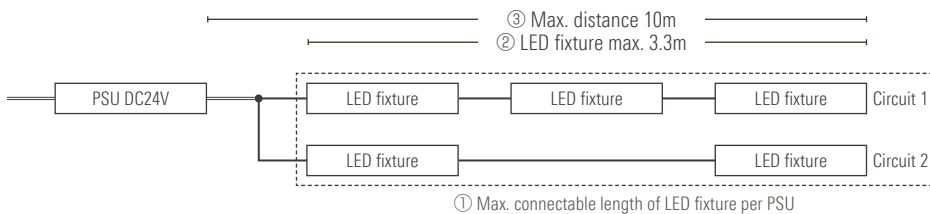


⚠ Cautions

- Highly recommend not to recess on the wall
- To avoid the mounting parts being deformed, DO NOT over-screw the screws, use countersunk screw and install the LED fixture forcefully when the mounting parts are misaligned.

When using deformed Mounting parts, the LED fixture may drop from the Mounting parts. Make sure the LED fixture is fixed tightly after installation.

System configuration diagram



① Max. connectable total length of LED fixture per power supply depends on capacity of power supply. Recommended loading factor: 70% (without dimming) or 60% (with dimming)

② If connectable length of LED fixture per circuit exceeds the maximum, please split into multiple circuit.

③ To avoid voltage drop, please consider the max. distance from power supply to the end of LED fixture. (i.e. total cable length plus LED fixture length)

Illuminance data



LRE
Luci RECTA

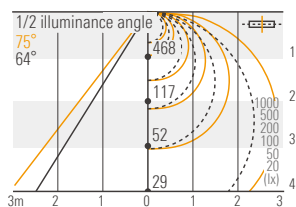
Color temperature

5000K 4000K 3500K 3000K 2700K 2400K

Direct horizontal surface light intensity distribution chart

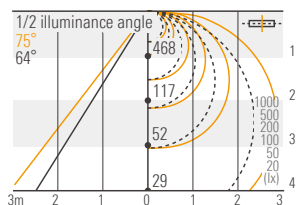
LRE-1003-N-DF-I

Light source color 5000K
Brightness 468 cd
Luminous flux 2380 lm
Color rendering index Ra 92



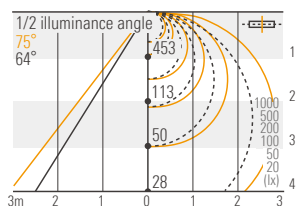
LRE-1003-W-DF-I

Light source color 4000K
Brightness 468 cd
Luminous flux 2380 lm
Color rendering index Ra 92



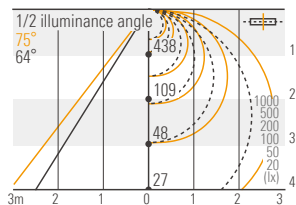
LRE-1003-WW-DF-I

Light source color 3500K
Brightness 453 cd
Luminous flux 2303 lm
Color rendering index Ra 93



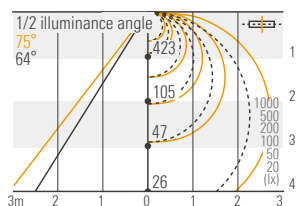
LRE-1003-L30-DF-I

Light source color 3000K
Brightness 438 cd
Luminous flux 2226 lm
Color rendering index Ra 94



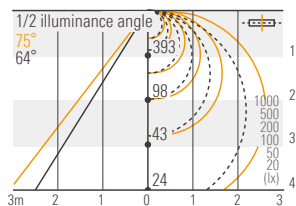
LRE-1003-L27-DF-I

Light source color 2700K
Brightness 423 cd
Luminous flux 2150 lm
Color rendering index Ra 93



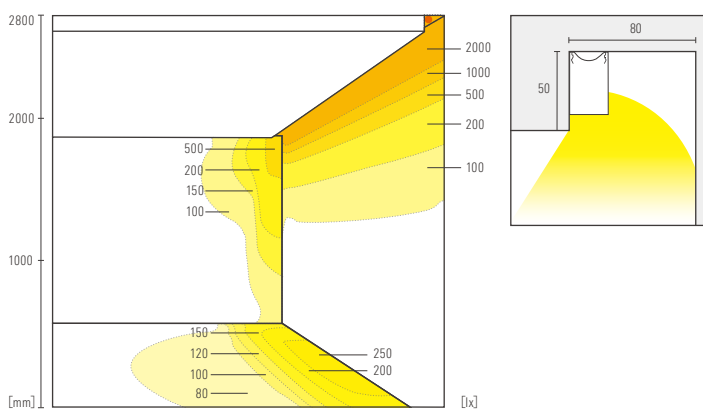
LRE-1003-L24-DF-I

Light source color 2400K
Brightness 393 cd
Luminous flux 1996 lm
Color rendering index Ra 93

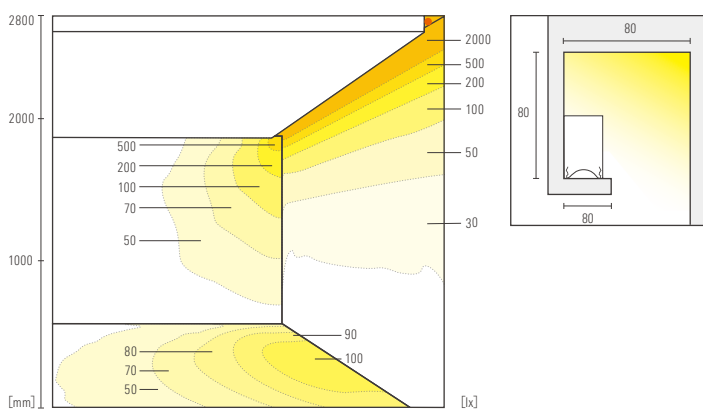


Recommend dimensions and illumination distributions

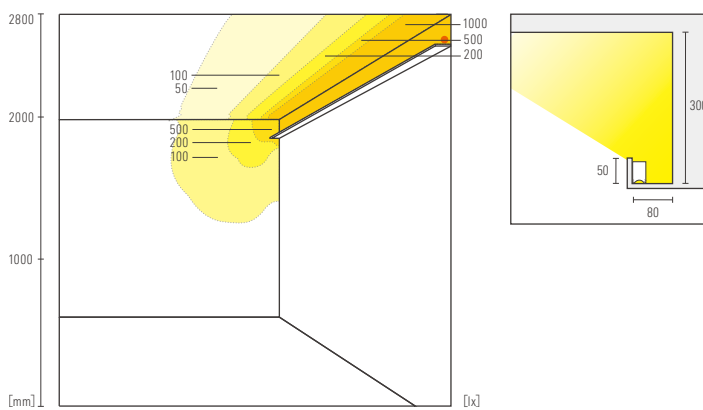
Cornice lighting-1 CH=2800



Cornice lighting-2 CH=2800



Cove lighting CH=2800



LRE

Vivoxy Graze

RECTA

THOR®

Crede® F / lens

silux® K

silux wide® K

Slim Light

nano line