

Indoor  
Rigid light

LTH  
Luci THOF<sup>®</sup> Indoor

Color management  
MacAdam 3 step



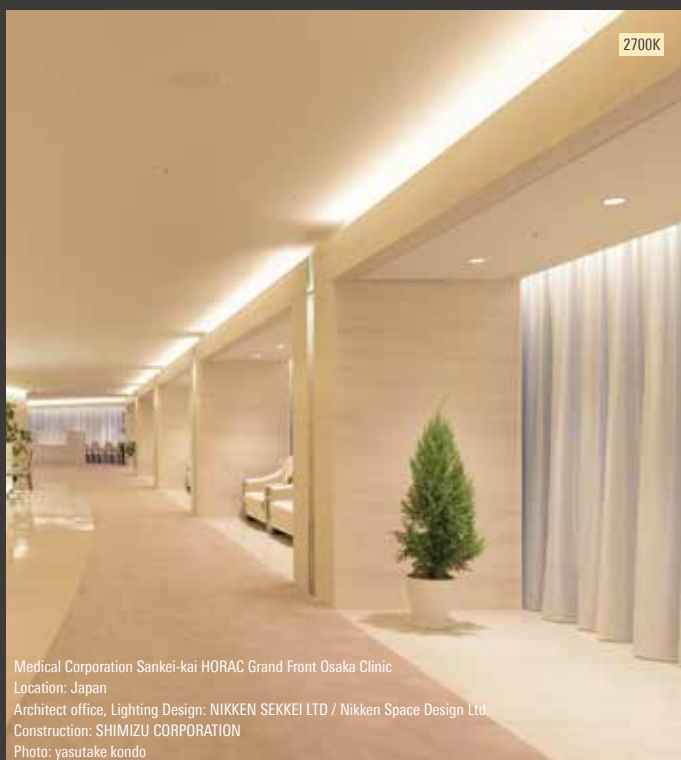
THOF®

LTH

# Luci THOF® Indoor

Create a suitable effect for each scene by adjustable color temperature and brightness

Taking biorhythms into account, desired usage and atmosphere can be provided by programmable color temperature from daylight white 5000K to warm white 2700K and adjustable brightness

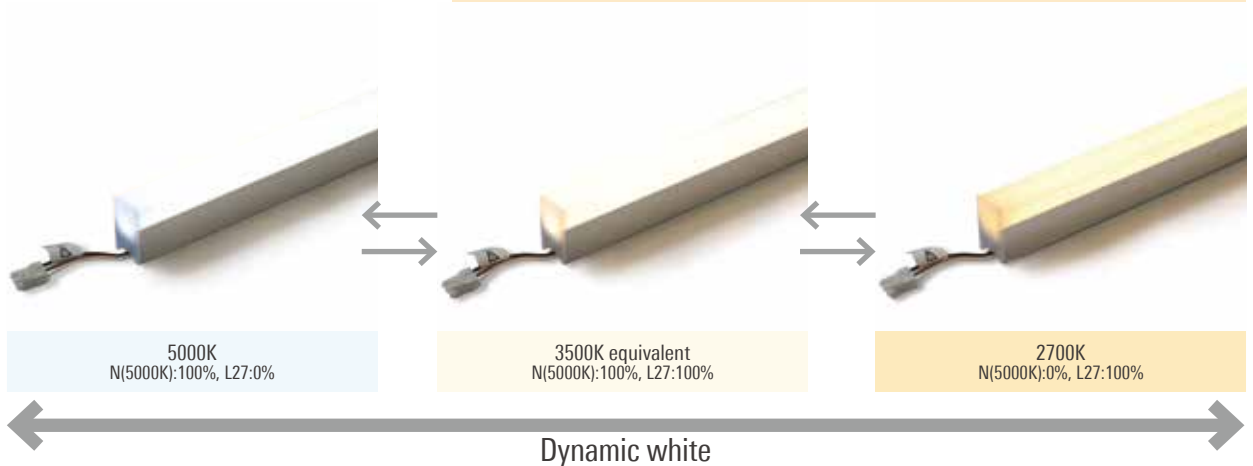




## Create an appropriate atmosphere for a scene by the color and light adjustable lighting

- Programmable color and light adjustment from daylight white (5000K) to warm white 2700K
- Seamless lighting with completely eliminated dots
- Compact light appliance design which stores attachment parts

**What is THOF®**  
 THOF is a collective name for an original series from Luci with color and light adjustment. With the color and light adjustment functions, "color temperature" and "brightness" can be flexibly adjusted for each scene.



3 lengths	Model No.
length 1003mm	1000
length 503mm	0500
length 103mm	0100



Dynamic White strip light  
 Luci Power FLEX THOF > P.128



Color management  
MacAdam 3 step

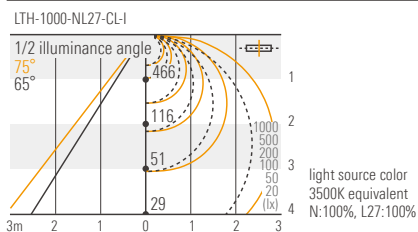


- Dynamic white by 2ch control signals
- Seamless, 3 surface-emitting light with eliminated dots
- Available for customising colour combination with MOQ

Model No.

<b>LTH</b>	-	<input type="checkbox"/> <input type="checkbox"/> <input type="checkbox"/> <input type="checkbox"/>	-	<b>NL27</b>	-	<b>DF</b>	-	<b>I</b>
Product Name		Length		Light source color		Cover Type		Environment
LTH		0100 0500 1000		NL27: Natural white to Warm white 2700K		DF: Diffuser		I: Indoors

Light Intensity Refer to P.61



### Specification

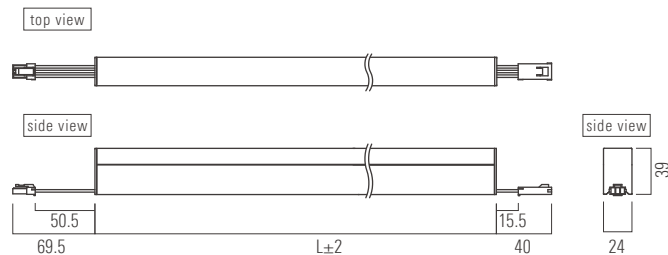
Length	0100	0500	1000
Model No.	LTH-0100-NL27-DF-I	LTH-0500-NL27-DF-I	LTH-1000-NL27-DF-I
Power consumption	3.1W (Max)	15.6W (Max)	31.2W (Max)
Fitting length(L)	103mm	503mm	1003mm
Weight	50g	210g	400g
Luminaire efficacy(2700K)	76.1 lm/W	76.1 lm/W	76.1 lm/W
Light source color	○ = Device inventory		
NL27 5000K~2700K	○	○	○
Dimming rate			
N 100%, L27 0% Ra 94	121 lm	606 lm	1213 lm
N 100%, L27 100% Ra 95	237 lm	1185 lm	2370 lm
N 0%, L27 100% Ra 94	109 lm	548 lm	1096 lm

Specification may be subject to change without announcement. The optical data provided on the each product pages are for reference only, the data values are not guaranteed. Please use as reference materials for your planning.

### General Specification

Input voltage	DC24V
Environment	Indoors (no condensation)
Max. length per circuit	4m
Material (body)	Polycarbonate, Aluminum
Attachments	① Mounting parts 2pcs
Option parts	① Mounting parts ② Power supply cable
Certification	CE
Dimmable	○ (Dynamic white)
Power Supplies	Required

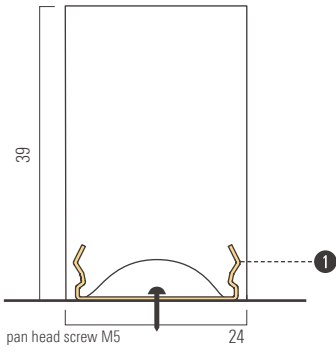
### External dimensions



### Max. connectable length per power supply

Length of LED fixture (70% loading factor) During dimmer use	Power supply
~1.2m	50W power supply
~2.5m	100W power supply
~4m	150W power supply

Cross sectional view

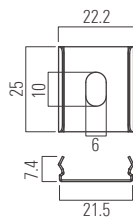


Option parts

1 Mounting parts A Attachment



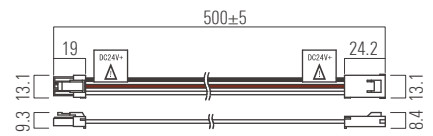
Model No : LTH-PTA  
Attached with LED fixture  
2 pcs / bag  
  
For extra order  
2 pcs / bag



2 Power supply cable 500mm for THOF

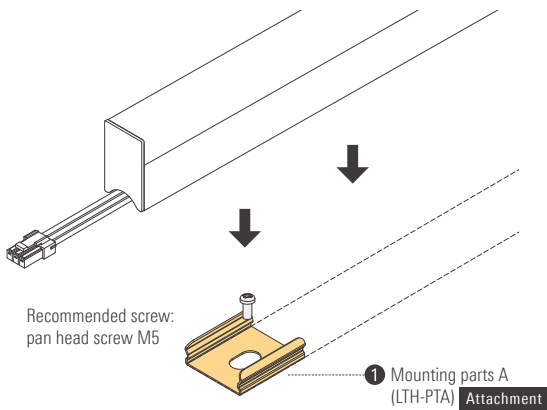


Model No : CAD-0500-MDFD-I  
1 pc per circuit for connecting the LED fixture to power supply or dimmer driver.  
  
Black : +  
White : 1ch- (light source color: white)  
Brown : 2ch- (light source color: warm white)

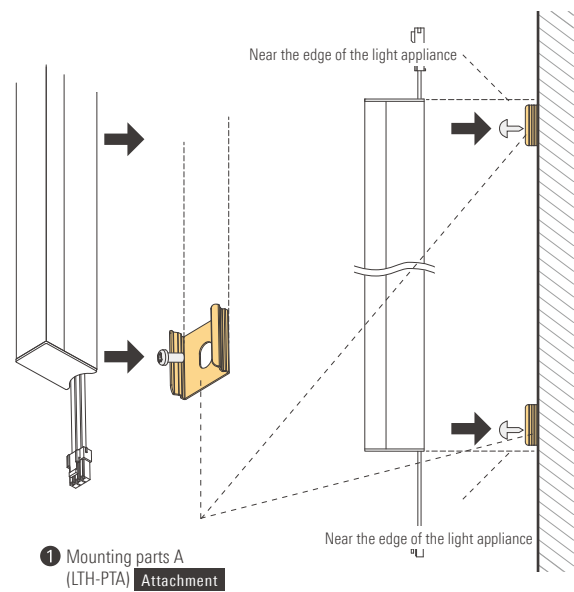


Installing the product

For horizontal installation



For vertical installation



**⚠ Cautions**

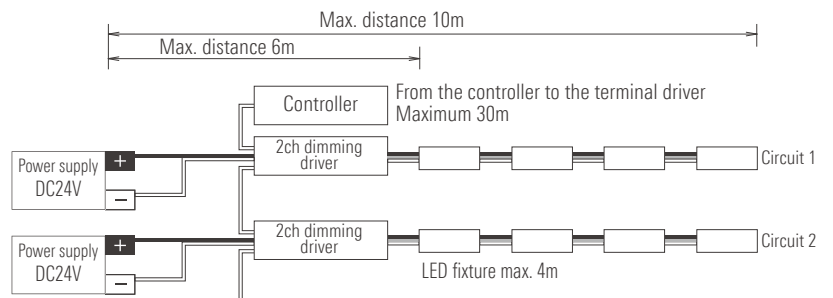
To avoid the mounting parts being deformed, DO NOT over-screw the screws, use countersunk screw and install the LED fixture forcefully when the mounting parts are misaligned. When using deformed Mounting parts, the LED fixture may drop from the Mounting parts. Make sure the LED fixture is fixed tightly after installation.

**⚠ Cautions**

- Highly recommend not to recess on the wall  
 - To avoid the mounting parts being deformed, DO NOT over-screw the screws, use countersunk screw and install the LED fixture forcefully when the mounting parts are misaligned. When using deformed Mounting parts, the LED fixture may drop from the Mounting parts. Make sure the LED fixture is fixed tightly after installation.

System configuration diagram

- Max. connectable length depends on the wattage of the power supply and the dimming driver.
- Max. length per circuit of Luci THOF is 4m. If it exceeds 4m, please split into multiple circuits.
- Max. distance from the power supply to the end of LED fixture is 10 m. Please refer to P212 for other controller and dimmer driver. Please contact us when using other dimming signal or dimmer driver.
- Twist shield cable is recommended to use as a signal cable.



Luci original dynamic white dimmer controller

PWM Light Controller for THOF (LLC-PLC-T)

	Input voltage	DC12~24V
	Input current	Max.5A
	Output current	Max.5A
	Size	W70*H120*D40 mm
	Usage environment	Indoors

Multi Controller Switch for THOF (LLC-MFC-SWC)

	Input voltage	DC12~24V
	Input current	Max.100mA
	Output current	Max.5A
	Size	W70*H120*D32.2 mm
	Usage environment	Indoors

Use these together

Multi Controller (LLC-MFC-10)

	Input voltage	DC12~24V
	Input current	
	Output current	1A max/CH
	Size	W212.5*H124*D32.5mm
	Usage environment	Indoors

Luci original dynamic white dimmer driver

PWM Dimming driver 5A for THOF (LLC-PWM5A-T)

	Input voltage	DC12~24V
	Input current	Max.100mA
	Output current	Max.5A
	Size	W64*H130*D27 mm
	Usage environment	Indoors

0-10V dynamic white dimmer driver

2ch 0-10V dimmer driver (DIM-S2L8V-0) EUCHIPS

	Input voltage	DC12~24V
	Output current	8A/2CH(for Brightness mode) Totally 8A(for CCT mode)
	Size	W167*H51*D23mm
	Usage environment	Indoors

Illuminance data



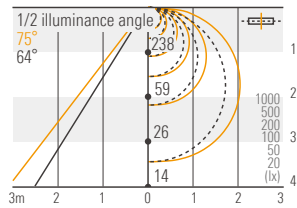
LTH  
Luci THOF

Color temperature  
5000K-2700K

Direct horizontal surface light intensity distribution chart

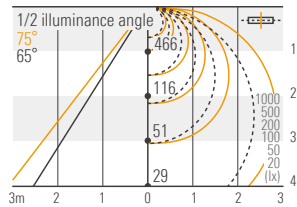
LTH-1000-NL27-CL-I

Light source color 5000K  
N:100%, L27:0%  
Brightness 238 cd  
Luminous flux 1213 lm  
Color rendering index Ra 95



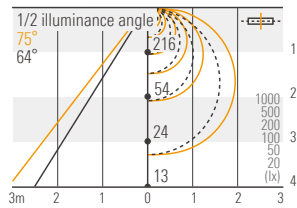
LTH-1000-NL27-CL-I

Light source color 3500K equivalent  
N:100%, L27:100%  
Brightness 466 cd  
Luminous flux 2370 lm  
Color rendering index Ra 94



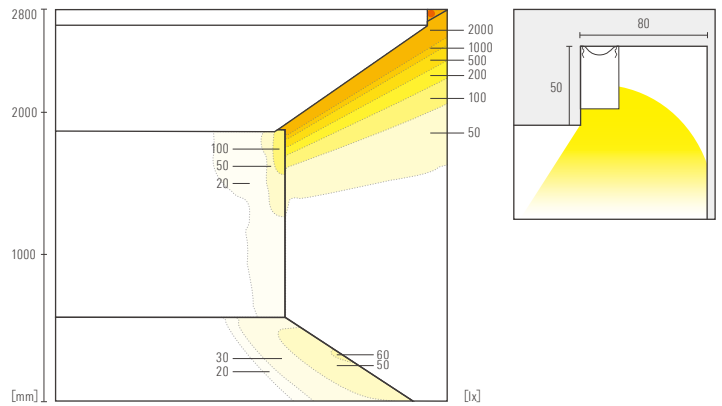
LTH-1000-NL27-CL-I

Light source color 2700K  
N:0%, L27:100%  
Brightness 216 cd  
Luminous flux 1096 lm  
Color rendering index Ra 94

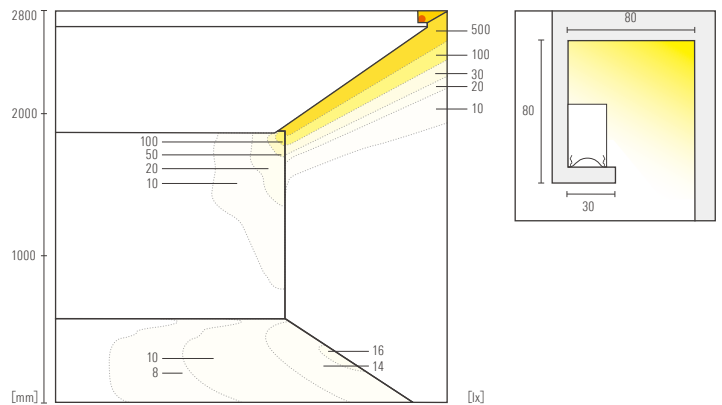


Recommend dimensions and illumination distributions

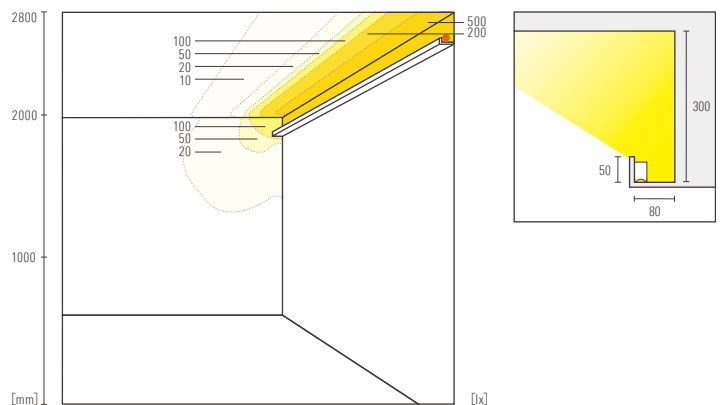
Cornice lighting-1 CH=2800



Cornice lighting-2 CH=2800



Cove lighting CH=2800



LTH

Vivoxi Graze

RECTIA

THOF®

Crede® F / lens

silux® K

silux wide® K

Slim Light

nano line