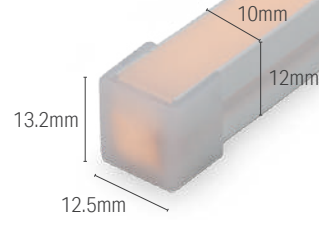


Project Name _____
 Qty _____
 Catalog / Part Number _____



LFUMAY-I | Luci SHIN UQ FLEX α mini Indoor

Color management MacAdam 3 step L90>B10 60K **FLEXIBLE**

Model No.

LFUMAY - T - - - **DF** - **I** -

Product Name	Length	Lead wire	Lead wire	Light source color	Tube type	Environment	Wattage
LFUMAY	Custom order length	W : Both ends S : One end	B : Back feed R : Side(Right) feed	D : 6500K N : 5000K W : 4000K WW : 3500K L30 : 3000K L27 : 2700K L22 : 2200K L20 : 2000K L18 : 1800K	DF : Diffuser	I : Indoor	2 : 2.1 W/m 4 : 4.2 W/m 6 : 6.4 W/m 10 : 10.8 W/m 15 : 15.9 W/m

Specification

Wattage (Code)	2	4	6	10	15
Wattage	2.1	4.2	6.4	10.8	15.9
Luminaire efficacy (lm/W) @2700K	58.1	58.5	56.9	55.3	54.1

Lumen output

Light source color(Code)

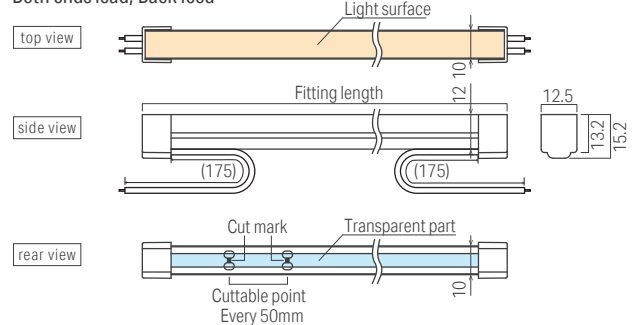
	Delivered CCT	CRI	Luminaire flux (lm/m)		
D	6500K	6100K Ra 95	139	281	411
N	5000K	4600K Ra 92	138	278	407
W	4000K	3600K Ra 96	136	273	400
WW	3500K	3200K Ra 96	135	271	396
L30	3000K	2700K Ra 94	131	263	385
L27	2700K	2500K Ra 93	123	249	364
L25	2500K	2300K Ra 93	91	184	269
L22	2200K	2000K Ra 92	85	171	251
L20	2000K	1800K Ra 90	78	157	229
L18	1800K	1600K Ra 90	75	152	222

General Specification

Input voltage	DC24V
Environment	Indoor (no condensation)
Max. length	3m
Max. length Per circuit	5m
Min. bending range	R50mm
Material	Silicone
Certification	CE
Dimmable	Yes (0-10V/1-10V, DMX, DALI, PWM, Casambi)

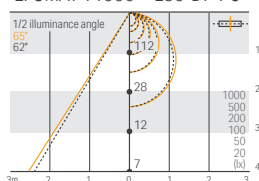
External dimensions

Both ends lead, Back feed



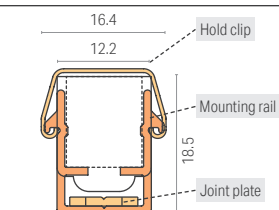
Light Intensity

LFUMAY-T1000**-L30-DF-I-6

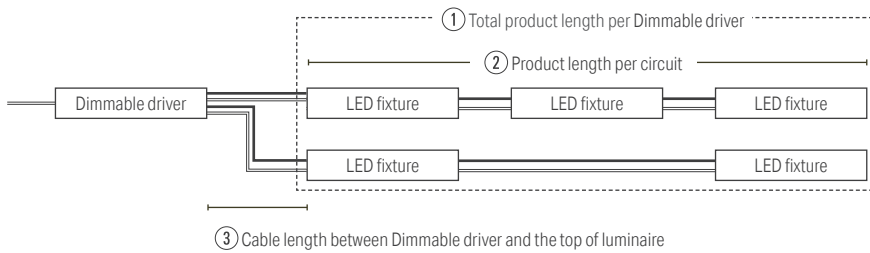


Light source color 3000K
 Brightness 112 cd
 Luminous flux 385 lm
 Color rendering index Ra 94

Cross sectional view with accessories



System configuration diagram



- ① Total product length per Dimmable driver depends on capacity of the Dimmable driver. Recommended loading factor is 70% (without dimming) or 60% (with dimming).
- ② Product length per circuit shall not exceed maximum product length per circuit. If the product length per circuit exceeds the maximum, split into multiple circuits.
- ③ To minimize voltage drop, select appropriate wire gauge/diameter and consider the cable length between Dimmable driver and the top of luminaire referring to the following table. If longer cable distances are required, use thicker wires or reduce the loading of the LED fixtures in the circuit.

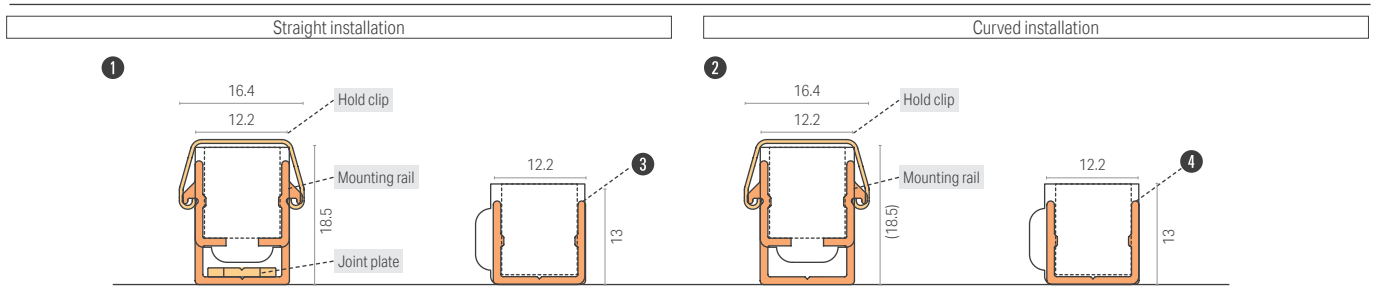
Dimmable driver

Model No.	Size (mm) (L × W × H)
PX0408	140 × 50 × 26
DALI6010	168 × 39 × 30
DIM-S1L10V-0	175 × 56 × 28
PWM-200-24	195 × 68 × 39.5
PWM-120-24	191 × 63 × 37.5
PWM-90-24	171 × 63 × 37.5
PWM-60-24	150 × 53 × 35
PWM-40-24	150 × 53 × 35

Dimmable driver			PX0408 (8A × 4ch)-Use 1ch only	PX0408 (8A × 4ch)-Use 1ch only	PWM-200-24	PWM-120-24	PWM-90-24	PWM-60-24	PWM-40-24
			DALI6010 (10A × 1ch)	DALI6010 (10A × 1ch)					
			DIM-S1L10V-0 (10A × 1ch)	DIM-S1L10V-0 (10A × 1ch)					
			connectable up to 5A, when using 200W DC24V PSU as 60% load factor	connectable up to 3.75A, when using 150W DC24V PSU as 60% load factor	connect up to 140W as 70% load	connect up to 84W as 70% load	connect up to 63W as 70% load	connect up to 42W as 70% load	connect up to 28W as 70% load
Model No.	Wattage (W/m)	Max. length per circuit (m)	① Connectable length per Dimmable driver (m)						
			* Split into multiple circuit						
LFUMAY-T**-DL-I-2	2.1	5	57.1*	42.8*	66.6*	40*	30*	20*	13.3*
LFUMAY-T**-DL-I-4	4.2	5	28.5*	21.4*	33.3*	20*	15*	10*	6.6*
LFUMAY-T**-DL-I-6	6.4	5	18.7*	14*	21.8*	13.1*	9.8*	6.5	4.3
LFUMAY-T**-DL-I-10	10.8	5	11.1*	8.3*	12.9*	7.7*	5.8*	3.8	2.5
LFUMAY-T**-DL-I-15	15.9	5	7.5*	5.6*	8.8*	5.2*	3.9	2.6	1.7
			Crosssection	0.3sq		0.5sq		0.75sq	
			Wiregauge	AWG22		AWG20		AWG18	
Model No.	Wattage (W/m)	② Max. length per circuit (m)	③ Max. cable length between Dimmable driver and the top of luminaire at ② Max. length per circuit (m)						
LFUMAY-T**-DL-I-2	2.1	5	15		24		38		
LFUMAY-T**-DL-I-4	4.2	5	7.7		12.3		19.5		
LFUMAY-T**-DL-I-6	6.4	5	5.1		8.2		12.8		
LFUMAY-T**-DL-I-10	10.8	5	3		4.9		7.6		
LFUMAY-T**-DL-I-15	15.9	5	2		3.3		5.2		



Cross sectional view with accessories



Accessories

1 Aluminium mounting rail High 950 set for UQ FLEX mini
 Model No : LFUMY-RL0950-AL-H
 The set include Mounting rail (1pc) and Hold clip (5 pcs/bag) and Joint plate (1pc)
 For downwards and vertical installation.

Mounting rail

950

150 200 200 150

35 6-Ø4.5 through hole

16 15.5

Number of holes : 6

Hold clip LFUMY-PT-A attachment for 1

16.4 9.2 8 2.5

Joint plate LFUMY-PT-B attachment for 1

2-Ø4.8 Slotted hole

100 70 1.2

2 Aluminium mounting parts High 18 set for UQ FLEX mini
 Model No : LFUMY-RL0018-AL-H
 The set include Mounting parts (5 pcs/bag) and Hold clip (5 pcs/bag)
 Recommended 5 sets/m
 For curved installation (Back feed)

Mounting parts

side view top view

12.2 16 15.5 18 9

1-Ø4.5 through hole Number of holes : 1

Hold clip LFUMY-PT-A attachment for 2

top view side view

16.4 9.2 8 2.5

3 Aluminium mounting rail Low 950 for UQ FLEX mini
 Model No : LFUMY-RL0950-AL-L
 For upwards installation.

950

12.2 11

4 Aluminium mounting parts Low 18 for UQ FLEX mini
 Model No : LFUMY-RL0018-AL-L
 5pcs/bag
 For curved installation (Side feed)

side view top view

12.2 11 18

5 End cap for UQ FLEX mini Attachment
 Model No : LFUMY-EC
 Attached with light fixture on request
 2 pcs / bag per light fixture
 For extra order, 2 pcs / bag

side view top view

10 13.3 12.5

For sealing the open end of light fixture after cutting.
 Sealing glue is required to supply by installer.
 Acrylic glue is recommended.

